

# FLOS

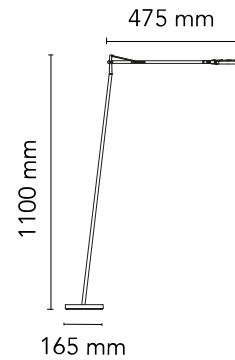
F3305033 Anthracite

## Kelvin Led Floor

Designed by Antonio Citterio/assistant Toan Nguyen, Antonio Citterio, 2011

8W - 523lm - 2700K - CRI > 90

Floor lamp. Head in pressofused aluminium, diffuser in PC. Power pack on plug, base cover in injection printed PC, counterweight in iron cut and painted by means of a cataphoresis process. Directionable head. Three-step ON/OFF switch with Soft Touch technology. Base separated from the lamp body with safety locking pin.



Are you a professional and your project needs consulting and support?

[BOOK AN APPOINTMENT](#)

### Main specifications

Mounting	Floor
Environments	Indoor dry location
Light source type	LED
Light sources included	Yes
LED type	LED Module
Power (W)	8
Lumen Output (lm)	523

### Physical

Colour	Anthracite
Length (mm)	675
Cord colour	Black
Cord length (mm)	1500
Net weight (kg)	4.05
Package volume (m3)	0.04
IP internal	20

### Download

[Mounting instructions](#) PDF

[Mounting instructions](#) PDF

### Photometric Files

[LDT / IES](#) LDT

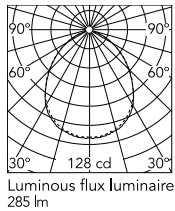
### Technical Drawings

[2D](#) ZIP

[3D](#) ZIP



## Schematic light drawing



## Photometric

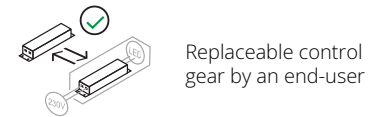
Lighting type	Direct
Light distribution	Symmetric
CCT (K)	2700
CRI>	90
Extreme cut off	No

## Electrical

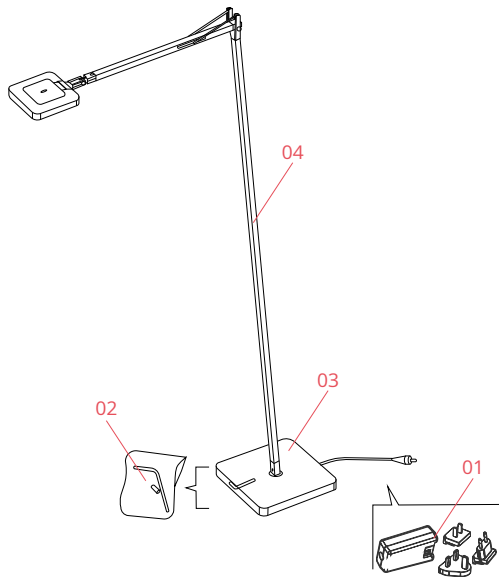
Insulation class	III
Frequency (Hz)	50/60
Main voltage (Vac)	100-240
Power supply	Remote included
Dimmable	Yes
Power supply type	Electronic 24V
Dimming interface	Dimmer Integrated
Plug type	Type A, Type C, Type G
Batteries inside	No

## Ecodesign and Energy Labelling

This product contains a light source of energy efficiency class F



## Spare Parts



- |     |  |           |
|-----|--|-----------|
| 01. | Black plug assembly kit & 24V driver           | RF6600230 |
| 02. | Kelvin Led Floor Kit with screw and allen keys | RF3320300 |
| 03. | Kelvin led gm anthracite base                  | F3322033A |
| 04. | Kelvin led Floor anthracite body               | F3306033  |



RF6600230  
Black plug assembly kit & 24V driver



RF3320300  
Kelvin Led Floor Kit with screw and allen keys



F3322033A  
Kelvin led gm anthracite base



F3306033  
Kelvin led Floor anthracite body